



PROJECT		REF		REV	ITEM CODE	
LOCATION		DATE			PAGE	

SANITARY WARE SPECIFICATION SHEET

Item Descriptions	Delabie (France) "TEMPMATIC" Chrome plated concealed urinal sensor; Electrical supply 220-240V / 50-60 Hz; Water flush volume 1.1 litres/cycle in WELS Grade 1 ; Registration No. 1U 18-0055
Model	428150 (Infra-red electronic) 406000 (Transformer)
Material/ Finish	Chrome Plated
Manufacturer	Delabie (France)
Source	Acme Sanitary Ware Co. Ltd Mr. Eric Wong/ Mr. Don Yuen
Contact Tel/Fax	(852) 2388-7171 / (852) 2710-8012
E-mail	acme@acmesanitary.com.hk
Website	www.acmesanitary.com.hk

TEMPOMATIC electronic valve for cross wall individual urinal:
 Mains supply, electronic control unit 12V with solenoid valve, filter and stopcock M1/2".
 Cross wall installation for walls ≤ 155mm.
 Shockproof infrared presence detector.
 Detection distance, time flow and flow rate can be adjusted at installation.
 Order separately the 230/12V transformer (see opposite page).
 Presence detection delay is 3 sec.
 Automatic pre-rinse possible.
 Time flow 3 sec. can be adjusted from 3 to 12 sec.
 Hygienic duty flush is possible every 24hours after last use, prevents vacuums in the siphon.
 Flow rate 0.3 l/sec. at 3 bar pressure, can be adjusted.
 Wall plate flush to the wall.
 Threaded rods can be cut-to-size.

Connector	1/2"
Technology	Electronic
Length	155mm
Flow rate	0,3 l/sec.
Standards and certifications	

Illustration/ Drawing

ADVANTAGES

- Cross wall installation
- ECO time flow set at 3 seconds
- Total hygiene : no manual contact
- Automatic anti-bacterial proliferation duty flush

Note:

* All information of the above is for the reference only. No prior notice is made if any changes.



水務署
Water Supplies Department

總部 Headquarters

香港灣仔告士打道七號入境事務大樓 48 樓

Immigration Tower, 7 Gloucester Road, Wan Chai, Hong Kong



本署
Our re,
來函檔號
Your ref.

321/2020 T/J(1300/2020)

電話 :
Tel. :
傳真 : 2824 0578
Fax. :

29 December 2020



Approval of “DELABIE” Sensor Flush Valve (General Acceptance No. C20201182F)

Your letter ref. 428150 dated 28 September 2020 and subsequent clarification by email up to 26 November 2020 refer.

Having considered the test report ref. J25457 issued on 10 September 2020 by Nutek Systems (HK) Limited, this Authority accepts that the fitting described below complies with, and its use when correctly installed does not contravene, the Waterworks Ordinance and Regulations.

Name of Manufacturer: Delabie SCS
Country of Origin: France
Brand: Delabie
Details of Fitting: 1/2" Sensor flush valve for urinal
Model: 428150
Body Markings: **DELABIE**
Expiry Date: 6 September 2025



Proviso: As the fitting has not been tested for use in contact with water intended for human consumption, the fitting can only be used in flushing water plumbing system.

This Authority hereby permits the use of the above fitting in flushing water plumbing systems subject to full adherence to Waterworks installation requirements. In particular, you are required to draw your customers' attention to the following requirement-

“Installation of filter before flushing valve is required. Without the filter, the flushing valve is liable to leak. The installed filter need frequent inspection and cleaning to maintain flushing supply. Normally only public toilets with good management system for maintenance would be considered.”

“A stop cock or gate valve must be installed at the upstream of the fitting for manual isolation of water supply.”

“The design flushing volume of the flushing valve should be compatible with the toilet bowl to ensure that effective clearance can be achieved by a single flush of water.”

“Flushing valve should be used within the range of working pressures specified by the manufacturer.” AND

“Installation of electronic opening and closing sanitary tapware should also comply with the requirements of Electrical & Mechanical Services Department.”

A condition of this acceptance is that the fitting to be installed shall be replicas of the sample as certified by the testing agent mentioned above and without modifications. This acceptance may be withdrawn at any time if the standard of the fitting installed fails to meet that of the approved sample or if the fitting is found to be unsuitable for use in flushing water plumbing systems.

For the use of the fitting in any project, the General Acceptance Number of this letter must be quoted as a means of identification of acceptance of the fitting by this Authority.

Should you have any enquiries, please contact our Engineer Mr. Terry KUNG at tel. no. 3583 4086.

Yours faithfully,

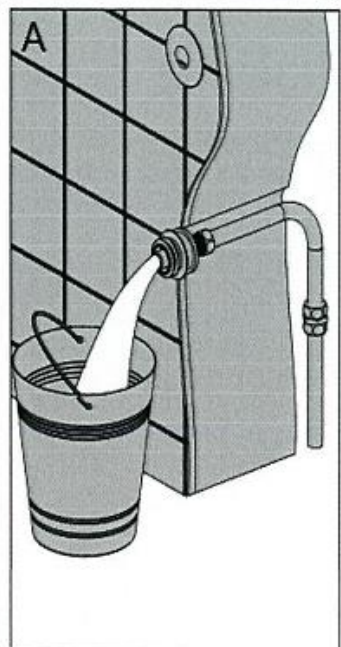
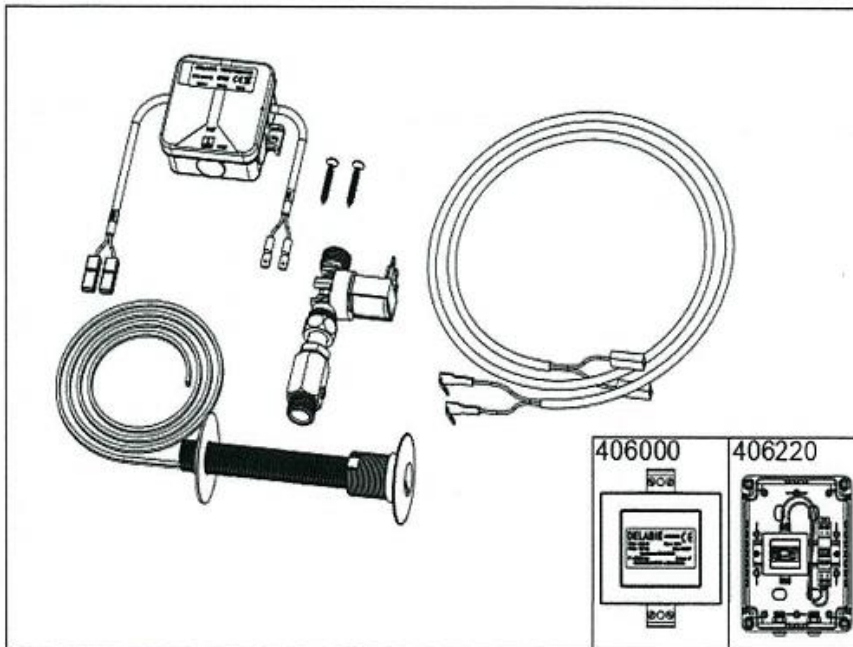
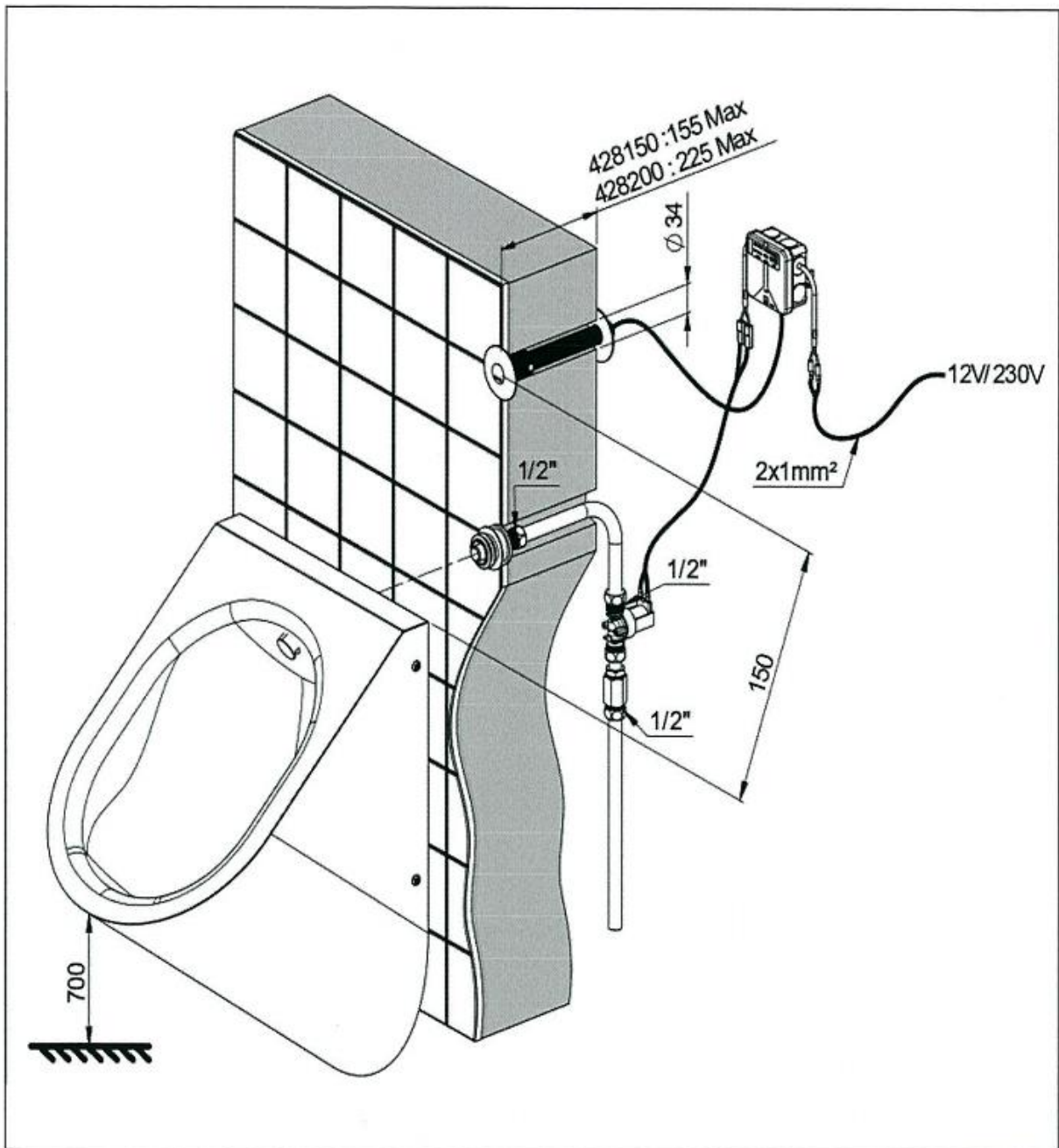


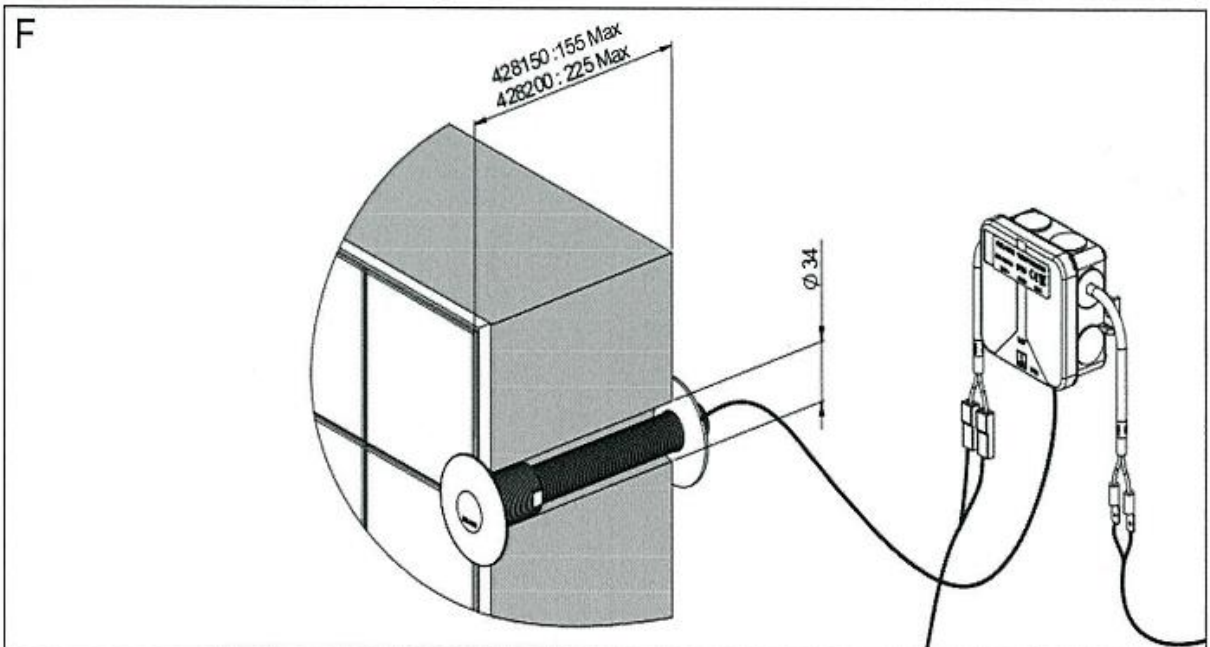
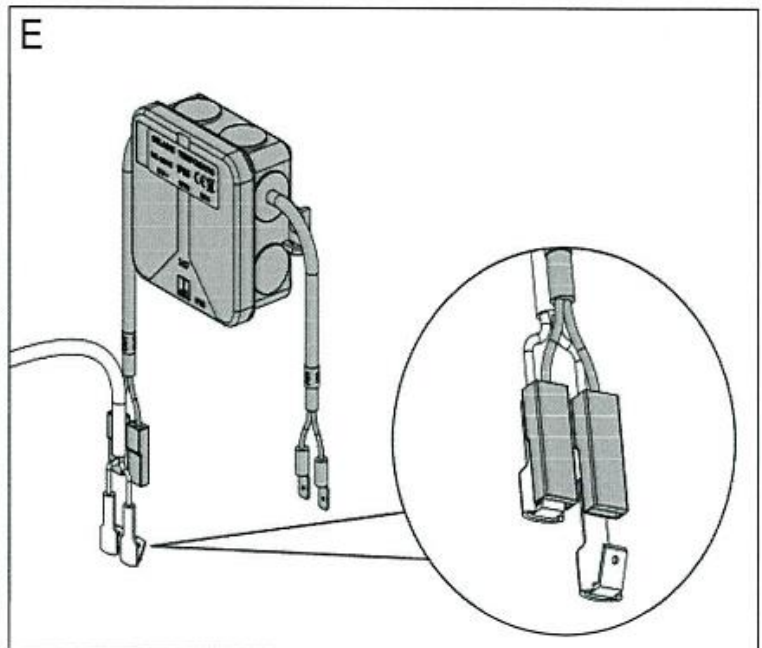
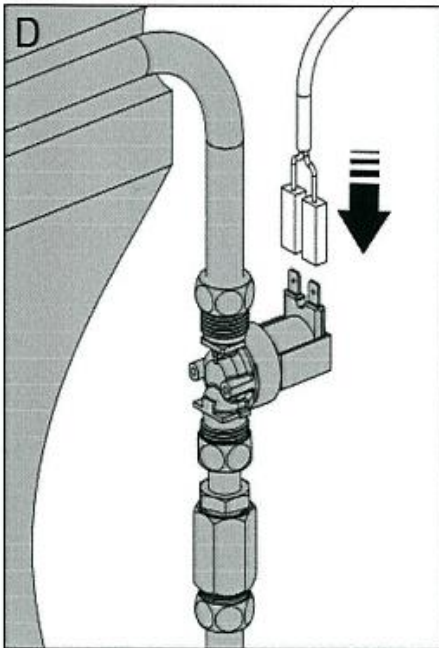
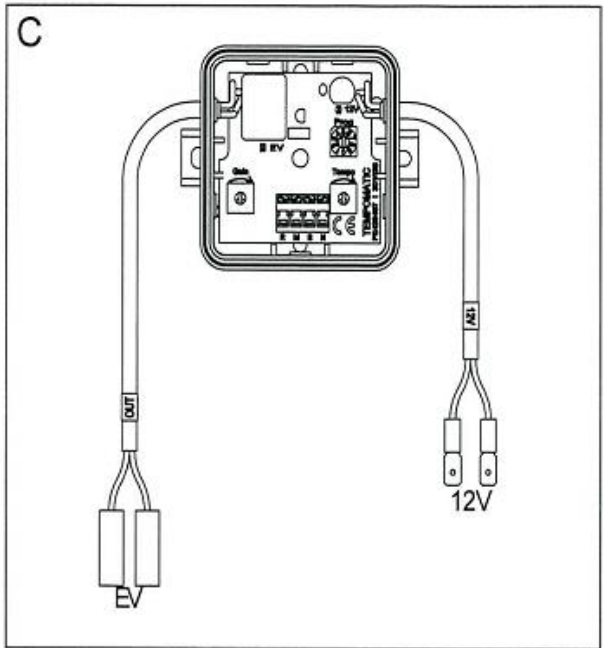
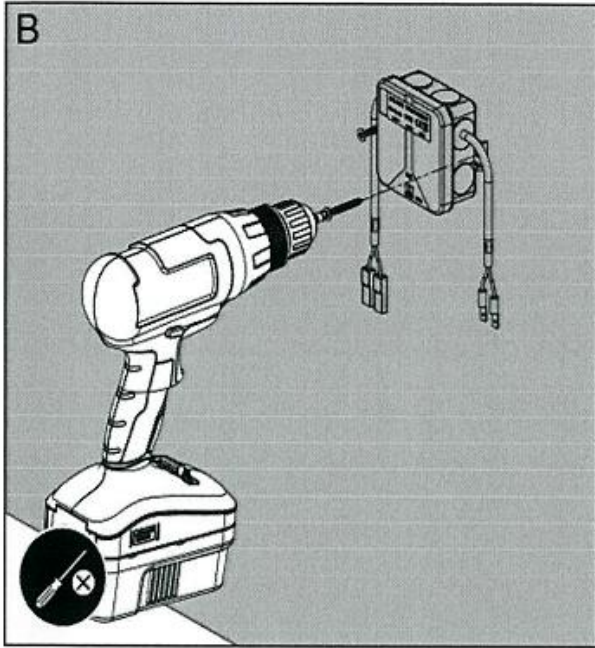
(CHAN Chung-kun)

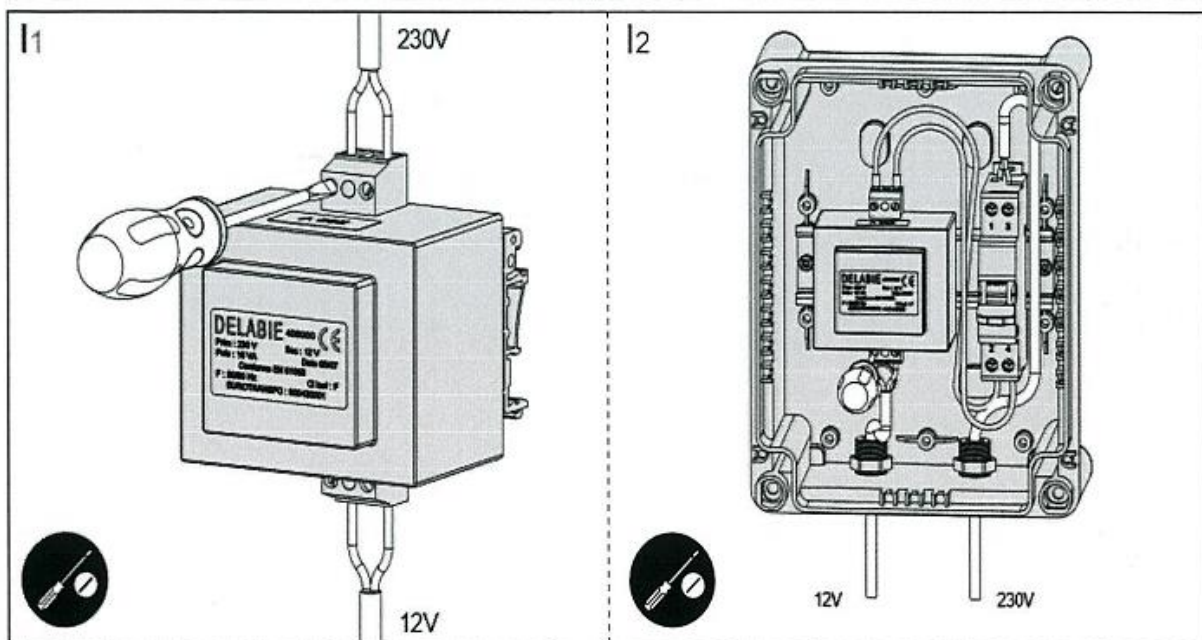
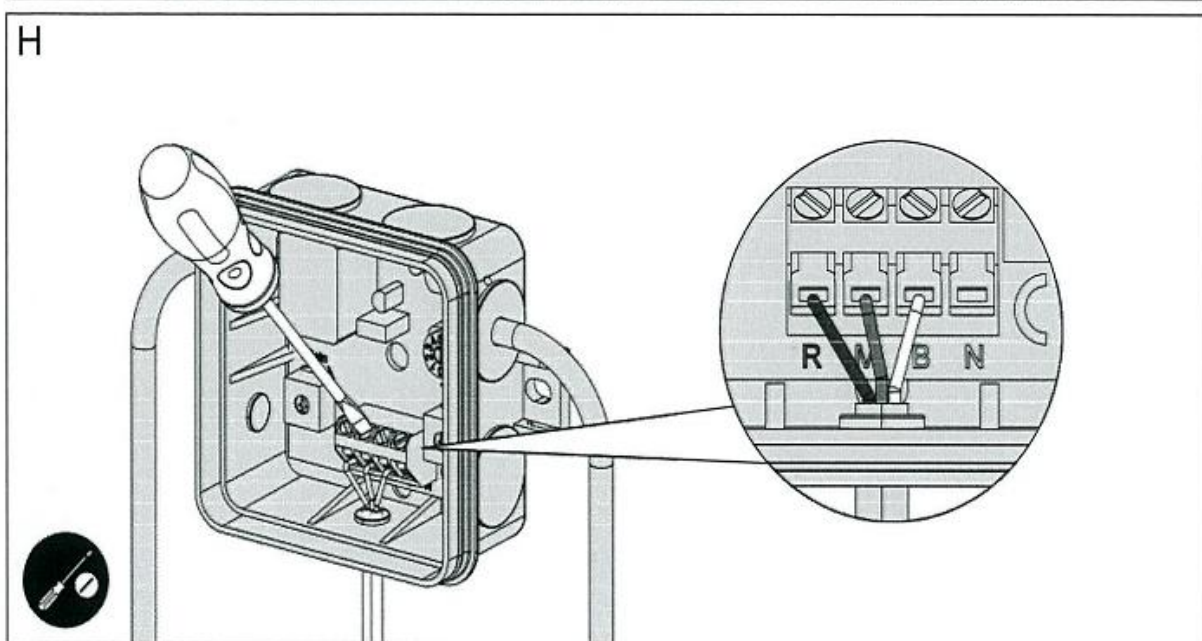
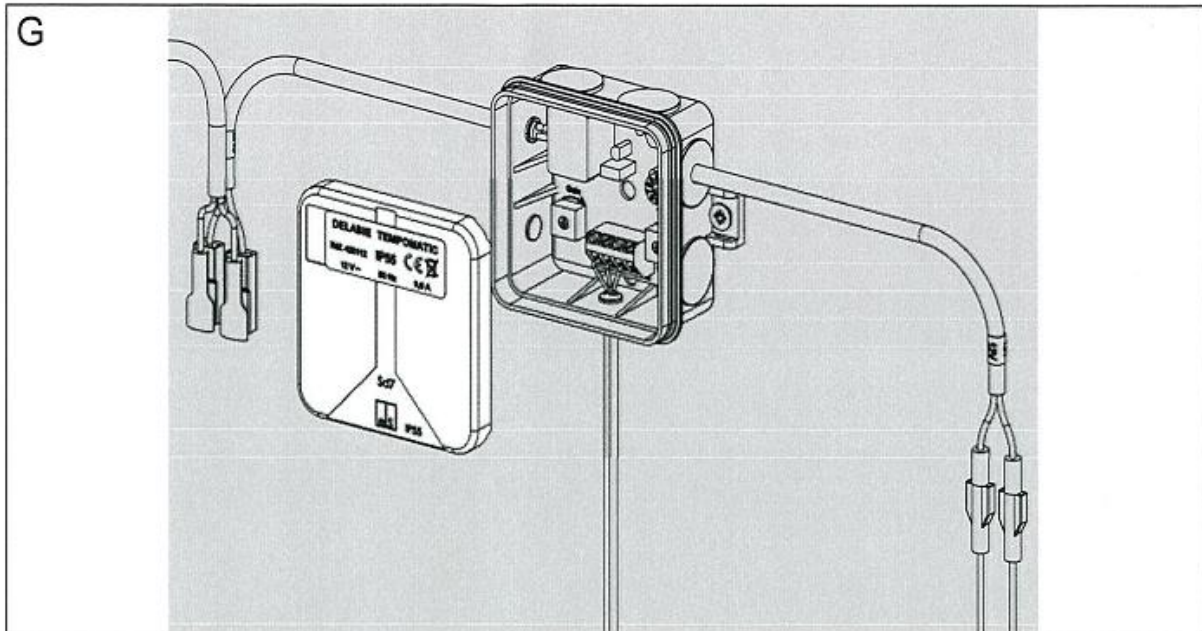
for Director of Water Supplies

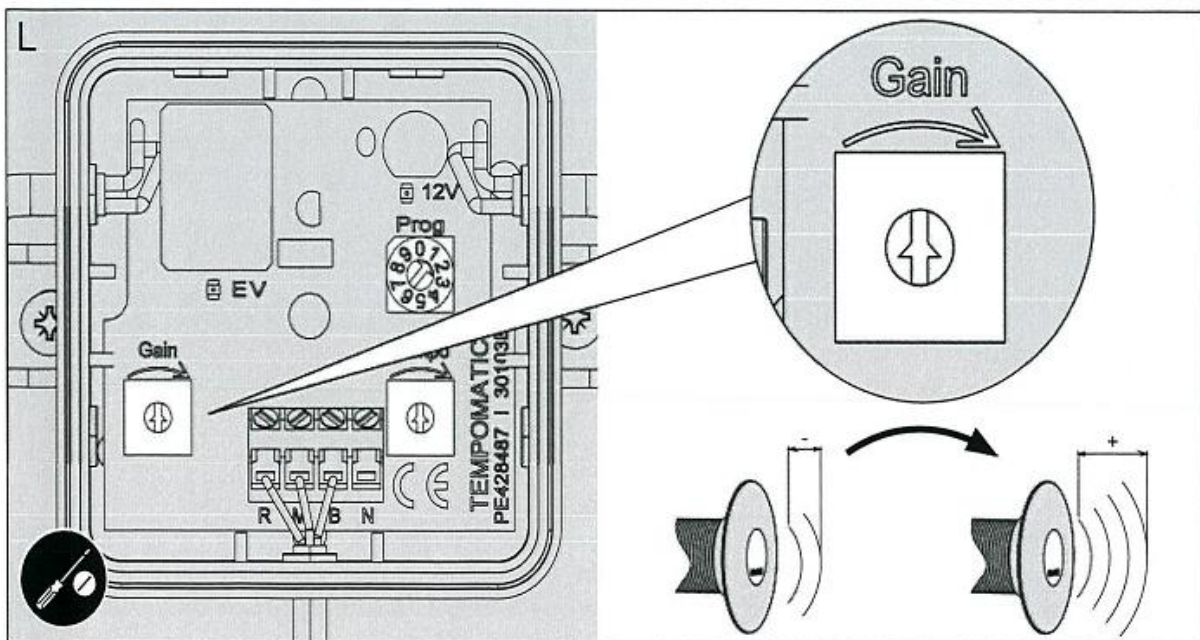
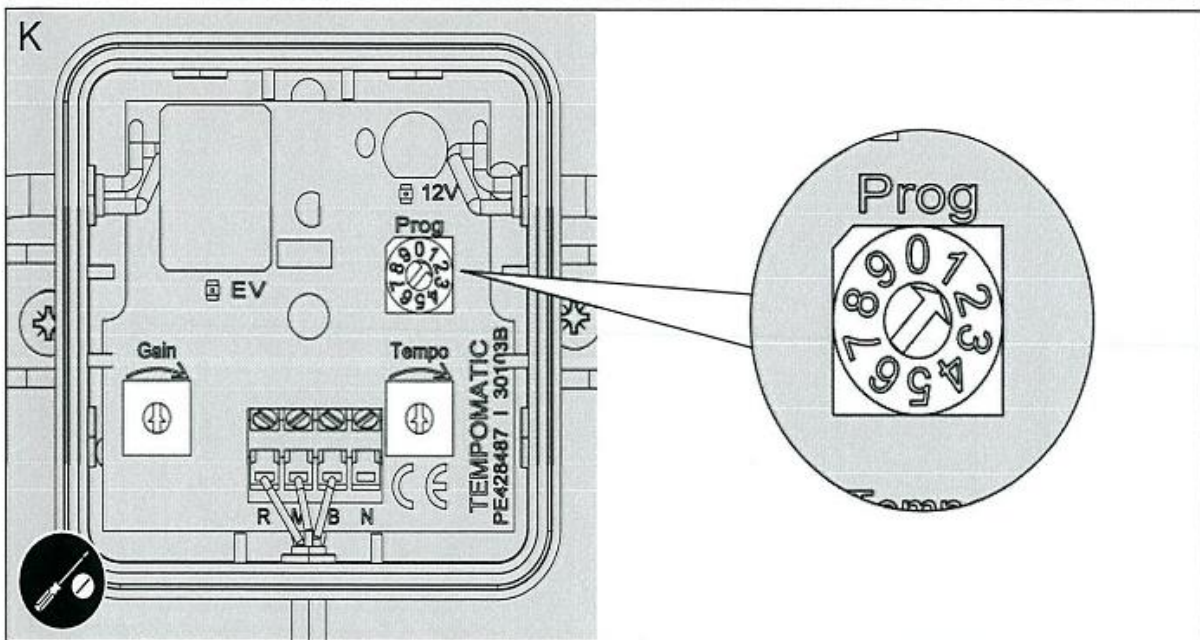
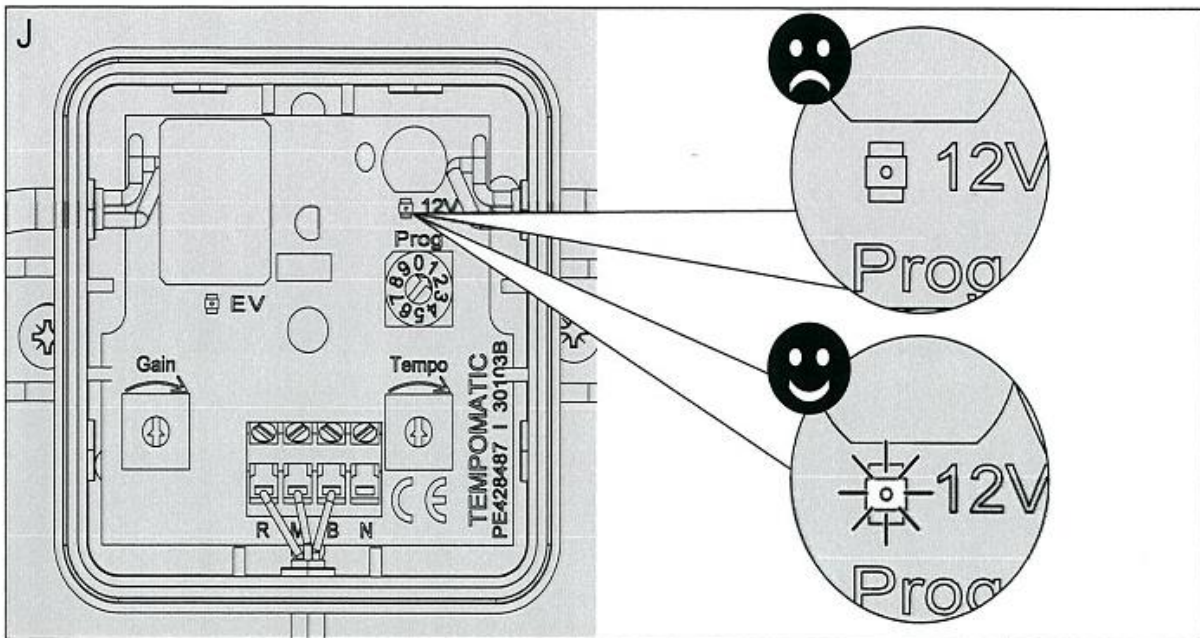
Encl.

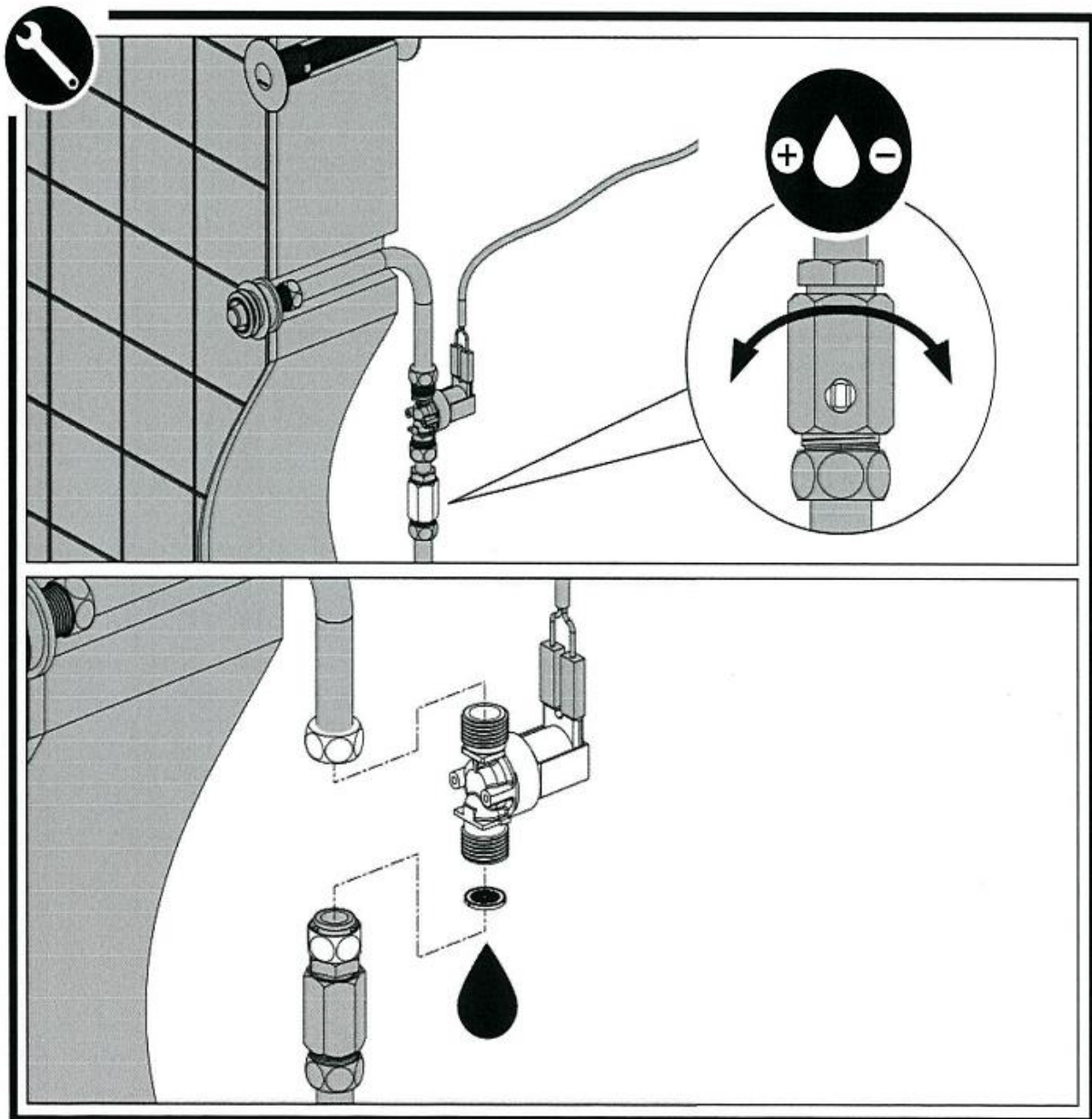
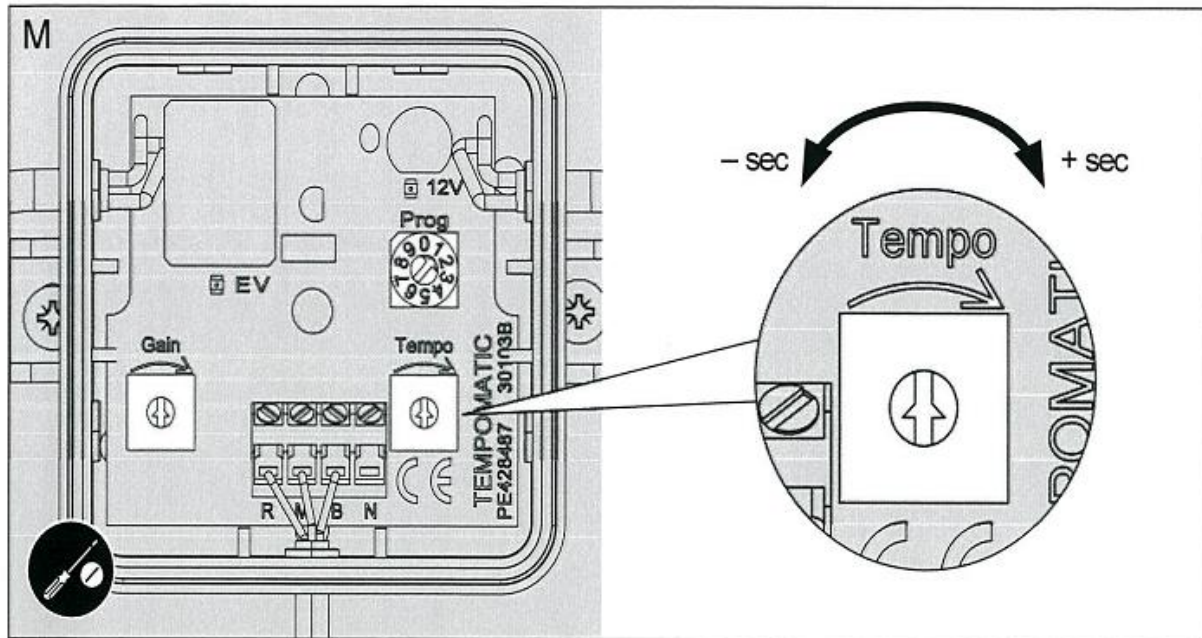
c.c. WSD 3321/1/82] - without catalogue
 ME/MC] - with soft copy only











- Flush triggered by user's departure.

CHARACTERISTICS

ELECTRONIC URINAL VALVE

Electrical supply:

- Electrical supply 220-240V / 50-60Hz class II (without earth connection). The installation must conform to local electrical regulations/standards and must be installed by a competent, qualified electrician.
- If the supply cable is damaged it must be replaced by the installer.
- Order separately, the transformer 406000 or 406220.
- Secure the cables in place with a fixed router e.g. a rigid sheath or cable holder.
- Connecting the sensor to the RMB terminal: red cable to R, brown cable to M, white cable to B (**Fig. H**).
- Maximum ambient temperature for operation: 40°C.

Hydraulic supply:

- Pressure: 1 - 5 bar (100 - 500kPa), 3 bar recommended (300kPa).
- Base flow rate for a standard urinal: 0.15 L/sec
- TEMPOMATIC flow rate: 0.32 L/sec at 1 bar, 0.45 L/sec at 2 bar, 0.5 L/sec at 3 bar.
- Calculate sizing of pipes using probable flow rates and dynamic pressure.

INSTALLATION

- THE INTEGRITY OF THE SEALS BETWEEN THE WALL PLATE OR STAINLESS STEEL WALL PLATE AND THE WALL MUST BE CHECKED AT LEAST ONCE A YEAR, AND MADE GOOD IF NECESSARY.

If this advice is not followed, water may leak into the wall. DELABIE cannot be held responsible for any Ingress.

FOR FURTHER INFORMATION PLEASE CALL DELABIE TECHNICAL SUPPORT UK: 01491 821821.

ALL OTHER MARKETS: +33 (0)3 22 60 22 74.

REMEMBER

- **Our valves must be installed by professional installers** in accordance with current regulations and recommendations in your country, and the specifications of the fluid engineer.
- **Sizing the pipes correctly** will avoid problems of flow rate, pressure loss and water hammer (see calculation table in our brochure and online at www.delabie.com).
- **Protect the installation** with filters, water hammer absorbers and pressure reducers to reduce the frequency of maintenance (recommended pressure from 1 to 5 bar maximum).
- **Install stopcocks** close to the valve to facilitate maintenance.
- The pipework, filters, non-return valves, stopcocks, bib taps, cartridge and all sanitary fittings should be checked at least once a year, and more frequently if necessary.

OPERATION OF ELECTRONIC VERSIONS (Fig. K, L, M)

Factory setting: «**PROG 1**» :

PROG (Fig. K)	Presence detection (Fig. L)	Time to recognise user presence	Pre-rinsing	Rinsing time (Fig. M)	Duty flush
1	15 - 50cm	3 sec.	2 sec.	3 - 12 sec.	Every 12 hours
2	15 - 50cm	3 sec.	-	3 - 12 sec.	Every 12 hours
3	15 - 50cm	-	-	During user's presence	-

MAINTENANCE & CLEANING

- **Cleaning chrome and stainless steel:** do not use abrasive, chlorine or any other acid-based cleaning products. Clean with mild soapy water using a cloth or a sponge.
- **Frost protection:** drain the pipes and operate the valve several times to drain any remaining water. In the event of prolonged exposure to frost, we recommend taking the mechanisms apart and storing them indoors.